

Service Parts List - E916

Part number information in the following table is meant to help you identify the parts in the drawings for ordering replacement parts. Call an authorized Nautilus® representative at 1-800-NAUTILUS (624-8458) to order replacement parts and get assistance with your specific replacement or service requirements. Items with no warranty code or part number are replaceable only as part of a higher-level assembly only.

WARRANTY NOTES (FOR UNITS IN USA ONLY):

- 1 - Part covered under standard 3-year parts warranty for replacement.
- 2 - Part covered under standard 1-year wear item warranty for replacement.
- 3 - Part covered under standard 15-year frame warranty for replacement.

Table 5-2. Part Identifier List – E916 Elliptical

SRVC#	WRNTY-CODE	PART NO. / LEVEL				DESCRIPTION			
		-1	-2	-3	-4				
SM25067	2	25067				ASSY.,BC-1, POWER SUPPLY			
NA			14029			PINS,CPC			
NA			21179			CONNECTOR,CPC 11-4 PLUG REVRSE			
NA			21184			CONNECTOR, BACKSHELL			
NA			21757			DECAL,WARNING,BATTERY CHARGER			
NA			25066			POWER SUPPLY,BC-1,1A WALL PACK			
SM27857	2	27857				COMMERCIAL PRODUCT WARRANTY			
NA	2	40334				MANUAL, OWNERS, CD, EV916/E916			
NA	2	40335				MANUAL, OWNERS, EV916/E916			
NA	2	40388				MANUAL, ASSY, E916/EV916			
SM12212	2	12212				KEY,.250 SQUARE X .750 LONG			
SM12419	2	12419				KEY, .250 SQ X 2.50 LONG			
SM22030	2	22030				WASHER, 3/8 USS FLAT			
SM22042	2	22042				NUT,.500-13,NYLON INSERT			
SM22046	2	22046				WASHER,FLAT,.562x1.375 x .109			
SM22242	2	22242				SCREW,.375-16X.75,HEX HD CAP			
SM23729	2	23729				WASHER, 3/8 SPLIT LOCK			
SM26669	2	26669				SCREW,.500-13x4.50,HEX HD CAP			
SM29062	2	29062				SCREW,1/4-28X 5/8 SOCKET HD CP			
SM40358	2	40358				SHAFT, SWING ARM PIVOT			
SM40381	1	40381				COVER, CRANK, STEEL			
SM40426	2	40426				COVER, KNUCKLE, FRONT LEFT			
SM40427	2	40427				COVER, KNUCKLE, FRONT RIGHT			
SM40436	2	40436				DECAL,ID,RIGHT			
SM40437	2	40437				DECAL,ID,LEFT			

SRVC#	WRNTY- CODE	PART NO. / LEVEL				DESCRIPTION			
		-1	-2	-3	-4				
SM40525	2	40525				COVER,DRIVETRAIN,RIGHT			
SM40526	2	40526				COVER,DRIVETRAIN,LEFT			
SM40527	2	40527				COVER,DRIVTRAIN,TOP			
SM40556	2	40556				COVER,FRONT,BOTTOM,LEFT			
SM40558	2	40558				COVER,FRONT,BOTTOM,RIGHT			
SM40592	2	40592				COVER,POD,TOP,LEFT			
SM40593	2	40593				COVER,POD,BOTTOM,LEFT			
SM40596	2	40596				COVER,POD,TOP,RIGHT			
SM40597	2	40597				COVER,POD,BOTTOM,RIGHT			
SM40616	1	40616				SPACER,CRANK SHAFT			
SM40654	1	40654				SCREW,10-32X.75,PANHD W/LK WAS			
SM40667	1	40667				SCREW, 5/16-18X.75,BH CAP,SS			
SM40668	1	40668				WASHER,FLAT,11/32IDX3/4ODX.050			
SM40669	1	40669				WASHER,SPRING LOCK,5/16,SS			
SM40670	1	40670				SCREW,1/4-20X.75,PAN HD,W/LOCK			
SM40751	1	40751				RING,RETAINING,EXTERNAL,15MM			
SM40783	1	40783				ASSEMBLY,CRANK ARM,RIGHT,V2			
SM12212			12212			KEY,.250 SQUARE X .750 LONG			
SM22036			22036			NUT,.250-20,NYLON INSERT			
SM22047			22047			WASHER,FLAT,1/4 ID X 5/8 OD			
SM27557			27557			RETAINING RING 5100-98			
SM40562			40562			SCREW,5/16-18 X 1.50 SHC W/NYL			
SM40594			40594			BEARING, BALL, 25 X 47 X 12			
SM40647			40647			WELDMENT,PIVOT,MISALIGNMENT			
NA				40595		HOUSING,BEARING,PIVOT,MISALIGN			
NA				40648		STUD,PIVOT MISALIGNMENT			
NA			40697			SCREW,1/4-20 X 3.50,HEX HD CAP			
NA			40767			BRACE,CRANK COVER,V2			
NA			40779			SPACER,ECCENTRIC SHAFT			
NA			40780			ARM,CRANK,V3			
NA			40930			CASTING,ECCENTRIC,CRANK ARM			
SM40784	1	40784				ASSEMBLY,CRANK ARM,LEFT,V2			
SM12212			12212			KEY,.250 SQUARE X .750 LONG			
SM22036			22036			NUT,.250-20,NYLON INSERT			
SM22047			22047			WASHER,FLAT,1/4 ID X 5/8 OD			
SM27557			27557			RETAINING RING 5100-98			
SM40562			40562			SCREW,5/16-18 X 1.50 SHC W/NYL			

Service Parts List - E916

SRVC#	WRNTY- CODE	PART NO. / LEVEL				DESCRIPTION			
		-1	-2	-3	-4				
SM40594			40594						BEARING, BALL, 25 X 47 X 12
SM40647			40647						WELDMNT,PIVOT,MISALIGNMENT
NA				40595					HOUSING,BEARING,PIVOT,MISALIGN
NA				40648					STUD,PIVOT MISALIGNMENT
NA			40697						SCREW,1/4-20 X 3.50,HEX HD CAP
NA			40767						BRACE,CRANK COVER,V2
NA			40779						SPACER,ECCENTRIC SHAFT
NA			40780						ARM,CRANK,V3
NA			40930						CASTING,ECCENTRIC,CRANK ARM
SM40884		40884							ASSEMBLY,CONNECTING ARM, V2
SM40575	1		40575						BEARING,BALL,15MM X 35MM X14MM
NA	1		40580						RING,RETAIN,INT,35MM IR 1.375"
NA	3		40885						WELDMNT,CONNECTING ARM,V2
NA				40886					TUBE,CONNECTING ARM, V2
NA					30114				TUBING,HREW 1.00 X .120
NA				40887					WELDMNT,BEARING HSING,CONN AR
NA					40888				TUBE,BEARING HOUSING,CONN ARM
NA					40889				EXTENSION,BEARING HSING,CONN A
NA				40915					WELDMNT,BEARNG HSING,CONN AR,S
NA					40889				EXTENSION,BEARING HSING,CONN A
NA					40916				TUBE,BEARNG HSING,CONN ARM,SHO
NA	1	40890							PLUG,F/1.50 DIA.TUBING,14-20GA
SM40908	1	40908							WASHER,THRUST,.562X1.00X.062
SM40951		40951							ASSEMBLY,REAR DRIVE,E916
NA	1		12760						KEY, .250 SQ X 3.00 LONG
NA	1		13584						CABLE,ALTERNATOR,3300CE/3900RC
NA				13548					RECEPTACLE,FASTON,INS,.25 14AW
NA				13573					CONNECTOR,4 POSITION PLUG
NA				14071					CONNECTOR, SOCKET 20-14 AWG
NA				20267					TERMINAL,#10 RING,14-16 AWG1
NA				20473					TYRAP, 1/8 X 4
NA				21639					TYRAP, MARKER TIE
NA				21784					WIRE,14 AWG,WHITE
NA				21785					WIRE,14 AWG,BROWN
NA				21786					WIRE,14 AWG,BLACK
SM17686	1		17686						LEVELING PAD
SM21448	1		21448						SCREW,.375-16 x 4.50 HEX HD CP

SRVC#	WRNTY- CODE	PART NO. / LEVEL				DESCRIPTION			
		-1	-2	-3	-4				
SM21774	1		21774						PIN,HITCH
SM22029	1		22029						NUT,.375-16,NYLON INSERT
SM22030	1		22030						WASHER, 3/8 USS FLAT
SM22047	1		22047						WASHER,FLAT,1/4 ID X 5/8 OD
SM22070	1		22070						WASHER,.312 SPLIT LOCK
SM22093	1		22093						SCREW,.312-18X.75,HEX HD CAP
SM22116	1		22116						SCREW,.250-20X2.50,HEX HD CAP
SM22191	1		22191						WASHER,SHOULDER,.38 I.D.
SM22214	1		22214						WASHER, FLAT, .312 SAE
SM22326	1		22326						PIN,CLEVIS
SM22663	1		22663						SCREW,#6 X .50 PHIL,TYPE T
SM22878	1		22878						SCREW,SET,SOCKET,.250-28 X .38
SM22883	1		22883						SCREW, SET,SOCKET,3/8-16 X .38
SM22937	1		22937						SCREW,.375-16 X 3.50,HX HD CAP
SM23729	1		23729						WASHER, 3/8 SPLIT LOCK
SM24640	1		24640						SCREW,.375-16 X 1.75 HX HD CAP
SM25978	1		25978						WHEEL, 3" DIA
SM40501	3		40501						WELDMENT,REAR FRAME,STRIDEMAST
SM40530	1		40530						PULLEY,DRIVE,MACHINED
SM40528-05				40528					HUB,PULLEY,DRIVE
SM40598	3		40598						WELDMENT, ALTERNATOR TENSIONER
NA				40599					TAB,ALTERNATOR,TENSIONER
NA				40600					SHAFT,THREADED,ALTERNATOR,TENS
SM40601			40601						ASSEMBLY,LOWER CONTROL BOARD
SM13572	1			13572					ASSY,PCB,POWER CONTROL BOARD
SM14123	1			14123					BATTERY,6V
SM22109	1			22109					WASHER, #8 INTERNAL TOOTH LOCK
SM22133	1			22133					SCREW,#8-32 X .75,PHIL PAN HD
SM22938	1			22938					FASTENER,HOOK
SM22939	1			22939					FASTENER,LOOP
SM24279	1			24279					TYRAP,.14x11.0
SM25206	1			25206					SIL PAD
SM40635	1			40635					ASSY,LOWER CONTROL BOARD BRACK
SM40603			40603						ASSY,RESISTOR & BRACKET,STRIDE
NA	1			22022					NUT, 1/4-20 NC FINISH HEX
NA	1			22027					WASHER,.250 SPLIT LOCK
NA	1			22047					WASHER,FLAT,1/4 ID X 5/8 OD

Service Parts List - E916

SRVC#	WRNTY-CODE	PART NO. / LEVEL				DESCRIPTION			
		-1	-2	-3	-4				
NA	1			25611				ASSEMBLY, RESISTOR, 3800	
SM13580	1				13580			WASHER,#8 SAE FLAT	
SM22109	1				22109			WASHER, #8 INTERNAL TOOTH LOCK	
SM22110	1				22110			NUT,#8-32,HEX MACH	
SM22134	1				22134			SCREW,#8-32 X .38,PHIL PAN HD	
SM23783	1				23783			ASSY,CABLE,RESISTOR	
SM24989	1				24989			RESISTOR,0.5 OHM, 240 WATT	
SM40604	1			40604				BRACKET,RESISTOR,HEAT SHIELD	
SM40632	1			40632				SCREW,.250-20UNC X .75LG SHC	
SM40605	3		40605					WELDMNT, INT PULLEY TENSIONER	
SM40607				40607				HUB,INTERMEDIATE PULLEY SHAFT	
SM40631				40631				ASSY,INTERMED PULLEY BRACKET	
NA					25218			NUT,SELF CLINCHING,.250-20	
NA					25325			PEM NUT, 3/8-16	
NA					40606			BRACKET,INTERMED PULLEY TENSIO	
SM40608	1		40608					SHAFT,INTERMEDIATE PULLEY	
SM40609	1		40609					SPACER,INTERMEDIATE SHAFT,LEFT	
SM40610	1		40610					SPACER,INTERMEDIATE SHAFT,RIGHT	
SM40611	1		40611					SHAFT,CRANK	
SM40654	1		40654					SCREW,10-32X.75,PANHD W/LK WAS	
SM40678	1		40678					CABLE,ASSY,BATTERY,ELLIPTICAL	
SM40734	1		40734					BEARING,1" PILLOW BLOCK,NO COL	
SM40844	1		40844					CABLE ASSY,MAIN LOWER,EV916	
SM40909	1		40909					BELT,POLY-V,61",J,10 RIBS	
SM40910	1		40910					BELT,POLY-V,38",J,6 RIB	
SM40952			40952					ASSEMBLY,INTERMEDIATE PULLEY	
NA	1			12221				INTERMEDIATE PULLEY, MOLDED	
NA					12347			HUB, INTERMEDIATE PULLY	
SM23322	1			23322				BEARING, BALL 17MM X 40MM	
SM40953			40953					ASSEMBLY,ALTERNATOR	
SM20205	1			20205				ALTERNATOR,PRESTOLITE,1992	
SM21204	1			21204				ASSY,FIELD,DIODE	
NA					20456			CONNECTOR, LUG 18-22 AWG	
NA					20751			TERMINAL,#10 RING,16-22 AWG	
NA					22261			DIODE, IN5404	
SM21445	1			21445				ASSY.,SPEED SENSOR,CLIM.SYS,CL	
NA					21126			CONNECTOR,2-POS SOCKET HOUSING	

SRVC#	WRNTY- CODE	PART NO. / LEVEL				DESCRIPTION			
		-1	-2	-3	-4				
NA					21127				CONNECTOR, SOCKET
NA					24594				SENSOR, INDUCTIVE
SM21778	1			21778					NUT,FLANGE (ALT-FLYWHEEL)
SM22027	1			22027					WASHER,.250 SPLIT LOCK
SM22036	1			22036					NUT,.250-20,NYLON INSERT
SM22047	1			22047					WASHER,FLAT,1/4 ID X 5/8 OD
SM22164	1			22164					SCREW,.250-20X1.25,HEX HD CAP
SM22517	1			22517					DISK,SPEED,SENSOR,4400CL
SM22884	1			22884					CLAMP,CABLE,11/16" DIA.
SM40329	1			40329					FLYWHEEL, CAST, 5300
SM40954		40954							ASSEMBLY,FRONT MAST
SM12497	2		12497						CONTACT PLATE, CHR
SM12506	2		12506						ADHESIVE TRANSFER TAPE, 5 MIL
SM17686	1		17686						LEVELING PAD
SM22027	1		22027						WASHER,.250 SPLIT LOCK
SM22028	1		22028						SCREW,.250-20X.63,HEX HD CAP
SM22047	1		22047						WASHER,FLAT,1/4 ID X 5/8 OD
SM24049	1		24049						SNAP RING, EXTERNAL, 1.50 DIA.
SM24279	1		24279						TYRAP,.14x11.0
SM24432	1		24432						WASHER,#10 SAE FLAT,ZINC PLATD
SM25165	1		25165						RECEIVER,PLUG-IN,POLAR
SM40464	2		40464						DECAL,CONSOLE BACK
SM40551	2		40551						COVER,ERGOBAR,FRONT
SM40552	2		40552						COVER,ERGOBAR,BACK
SM40567	2		40567						COVER,SWING ARM,TOP
SM40568	2		40568						COVER,SWING ARM,TOP,WITH INSER
SM40576	2		40576						HOUSING,CHR,FIXED,TOP
SM40577	2		40577						HOUSING,CHR,FIXED,BOTTOM
SM40639	1		40639						SCREW,6-32 X .438 LG SHC
SM40651	1		40651						WASHER,NYLATRON,1.505 X 2.250
SM40652	1		40652						WASHER,WAVE,1.560 X 1.8750 X
SM40654	1		40654						SCREW,10-32X.75,PANHD W/LK WAS
SM40679	1		40679						CABLE,ASSY,T-BAR GRIP TO CONSO
SM40710	1		40710						CABLE ASSY,CONSOLE-INLINE,ELLI
SM40776	1		40776						ADHESIVE,TRANSFER TAPE,25 MIL
SM40777	1		40777						SCREW,6-32 X 1.5" LG HEX SHC
SM40836	1		40836						ASSY,CABLE, VSL PLUG-IN, POLAR

Service Parts List - E916

SRVC#	WRNTY- CODE	PART NO. / LEVEL				DESCRIPTION			
		-1	-2	-3	-4				
SM40880	2		40880						COVER, CUP HOLDER, TOP, V2
SM40881	2		40881						COVER, CUP HOLDER, BOTTOM, V2
SM40892	3		40892						WELDMENT, CONSOLE MOUNT, V2
SM40955			40955						ASSEMBLY, SWING ARM
SM40564	1			40564					BEARING, IGUS JFI-2428-16
SM40893	3			40893					WELDMENT, SWING ARM, E916, V2
SM40380					40380				HOUSING, BEARING, SWING ARM
NA					40409				PLATE, MOUNTING, UPPER HANDLE
SM40410					40410				HOUSING, BEARING, SWING ARM, LOWE
NA					40561				TUBE, SWING ARM
SM40956			40956						ASSY, UPPER BODY, ARM, RIGHT, E916
SM21135	1			21135					LOOM, FLEXIBLE .350 I.D.
NA	2			21607					TAPE, DOUBLE SIDED FOAM
NA	2			40466					KEYPANEL, HANDRAIL, RIGHT, EV9.16
NA	1			40639					SCREW, 6-32 X .438 LG SHC
NA	2			40642					CONTACT PLATE, CHR, LONG
NA	2			40643					HOUSING, CHR, DYNAMIC, FRONT
NA	2			40644					HOUSING, CHR, DYNAMIC, REAR
NA	1			40680					ASSY, CABLE, ELLIPTICAL SWINGARM
SM40692	1			40692					PCB ASSEMBLY, ELLIPT SWINGARM
SM40761	2			40761					LABEL, SWING ARM, WIRE, LH
SM40776	2			40776					ADHESIVE, TRANSFER TAPE, 25 MIL
SM40896	3			40896					WELDMENT, UPPER BODY, RIGHT, V2
NA					40571				PLATE, UPPER BODY HANDLE, TOP
NA					40653				TUBE, CHR, UPPER BODY HANDLE
NA					40906				TUBE, UPPER BODY, RIGHT, V2
SM40957			40957						ASSY, UPPER BODY, ARM, LEFT, E916
SM21135	1			21135					LOOM, FLEXIBLE .350 I.D.
NA	2			21607					TAPE, DOUBLE SIDED FOAM
SM40465	2			40465					KEYPANEL, HANDRAIL, LEFT, EV9.16
SM40639	1			40639					SCREW, 6-32 X .438 LG SHC
SM40642	2			40642					CONTACT PLATE, CHR, LONG
SM40643	2			40643					HOUSING, CHR, DYNAMIC, FRONT
SM40644	2			40644					HOUSING, CHR, DYNAMIC, REAR
SM40680	1			40680					ASSY, CABLE, ELLIPTICAL SWINGARM
SM40692	1			40692					PCB ASSEMBLY, ELLIPT SWINGARM
SM40760	2			40760					LABEL, SWING ARM, WIRE, RH

SRVC#	WRNTY- CODE	PART NO. / LEVEL				DESCRIPTION			
		-1	-2	-3	-4				
SM40776	2			40776					ADHESIVE,TRANSFER TAPE,25 MIL
SM40895	3			40895					WELDMENT,UPPER BODY, LEFT, V2
NA					40571				PLATE,UPPER BODY HANDLE, TOP
NA					40653				TUBE, CHR, UPPER BODY HANDLE
NA					40905				TUBE, UPPER BODY, LEFT, V2
SM40958		40958							ASSEMBLY,FOOT LINK, RIGHT
SM40424	2		40424						HOUSING,FOOT PAD,RIGHT
SM40434	2		40434						FOOT PAD,RIGHT
SM40443	1		40443						SCREW,10-32 X 1.0, OVAL HD,PHL
SM40646	1		40646						SHAFT,FOOT PIVOT
SM40667	1		40667						SCREW, 5/16-18X.75,BH CAP,SS
SM40668	1		40668						WASHER,FLAT,11/32IDX3/40DX.050
SM40669	1		40669						WASHER,SPRING LOCK,5/16,SS
SM40877	3		40877						WELDMENT,FOOT SUPPORT,RIGHT,V5
NA				40798					BRKT,MTING,CONN ARM,FRONT,R,V2
NA				40883					SHAFT,CONNECTING ARM,FRONT,V3
NA				40914					ASSY,BRACKET,FOOT SUPRT,W/PEM,R
NA					40912				BRACKET,FOOT SUPPORT,1 TAB,R,V2
NA					41145				NUT,SELF-CLINCHING,10-32
SM40960			40960						ASSY,FOOT LINK W/BEARING,RIGHT
NA	1			40591					BEARING, IGUS JFI-141618-11
NA	3			40898					WELDMENT, FOOT LINK, RIGHT, V2
NA					40444				BRACKET,MOUNTING,LEG LINK
NA					40584				PLATE,SUPPORT,FOOT PIVOT,SIDE
NA					40585				HOUSING, BEARING, FOOT PIVOT
NA					40586				PLATE,SUPPORT,FOOT PIVOT,FRONT
NA					40587				PLATE,SUPPORT,FOOT PIVOT,REAR
NA					40588				BRACKET,FOOT LINK,MISALIGNMENT
NA					40589				GUSSET,FOOT LINK,MISALIGNMENT
NA					40904				TUBE, FOOT LINK, V2
SM40959		40959							ASSEMBLY,FOOT LINK,LEFT
SM40425	2		40425						HOUSING,FOOT PAD,LEFT
SM40435	2		40435						FOOT PAD,LEFT
SM40443	1		40443						SCREW,10-32 X 1.0, OVAL HD,PHL
SM40646	1		40646						SHAFT,FOOT PIVOT
SM40667	1		40667						SCREW, 5/16-18X.75,BH CAP,SS
SM40668	1		40668						WASHER,FLAT,11/32IDX3/40DX.050

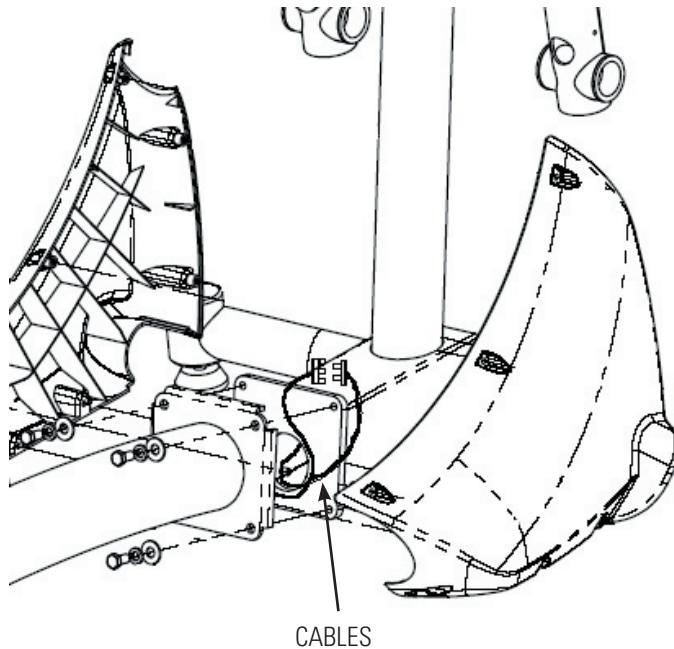
Service Parts List - E916

SRVC#	WRNTY- CODE	PART NO. / LEVEL				DESCRIPTION			
		-1	-2	-3	-4				
SM40669	1		40669						WASHER, SPRING LOCK, 5/16, SS
SM40876	3		40876						WELDMENT, FOOT SUPPORT, LEFT, V5
NA				40797					BRKT, MTING, CONN ARM, FRT, L, V2
NA				40883					SHAFT, CONNECTING ARM, FRONT, V3
NA				40913					ASSY, BRACKET, FOOT SUPRT, W/PEM, L
NA					40911				BRACKET, FOOT SUPPORT, 1 TAB, L, V2
NA					41145				NUT, SELF-CLINCHING, 10-32
SM40961			40961						ASSY, FOOT LINK W/BEARING, LEFT
NA	1			40591					BEARING, IGUS JFI-141618-11
NA	3			40897					WELDMENT, FOOT LINK, LEFT, V2
NA					40444				BRACKET, MOUNTING, LEG LINK
NA					40584				PLATE, SUPPORT, FOOT PIVOT, SIDE
NA					40585				HOUSING, BEARING, FOOT PIVOT
NA					40586				PLATE, SUPPORT, FOOT PIVOT, FRONT
NA					40587				PLATE, SUPPORT, FOOT PIVOT, REAR
NA					40588				BRACKET, FOOT LINK, MISALIGNMENT
NA					40589				GUSSET, FOOT LINK, MISALIGNMENT
NA					40904				TUBE, FOOT LINK, V2
SM40962	1	40962							WASHER, NEOPRENE
SM41531	1	41531							CONSOLE, C51, LCD, E916

Cable Connections - E916

The main cable connection for the E916 elliptical is shown below. Wiring diagrams for the E916 console, handles and main power are provided in Section 2.

Front Mast to Main Frame Connection:



CONNECT CABLE (40710) FROM FRONT MAST TO CABLE (40844) FROM MAIN FRAME CENTER TUBE BEFORE SECURING FLANGES TOGETHER. THE COLOR-CODED CABLES SNAP TOGETHER WITH THE M/F CONNECTORS FOR THE CORRESPONDING CABLE COLORS.

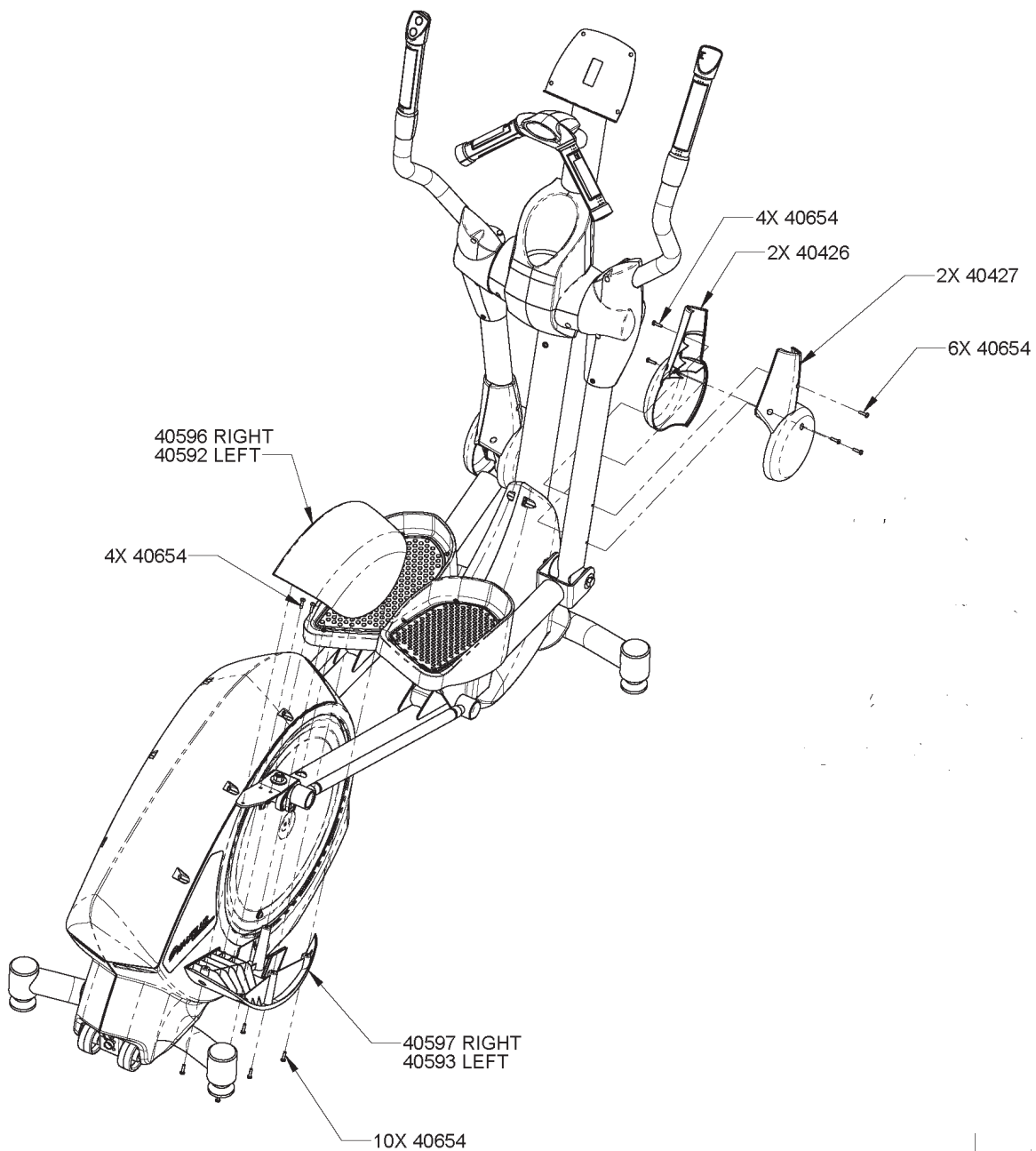
NOTE: TAKE CARE NOT TO PINCH CABLES WHEN ASSEMBLING.

Assembly Drawings Overview - E916

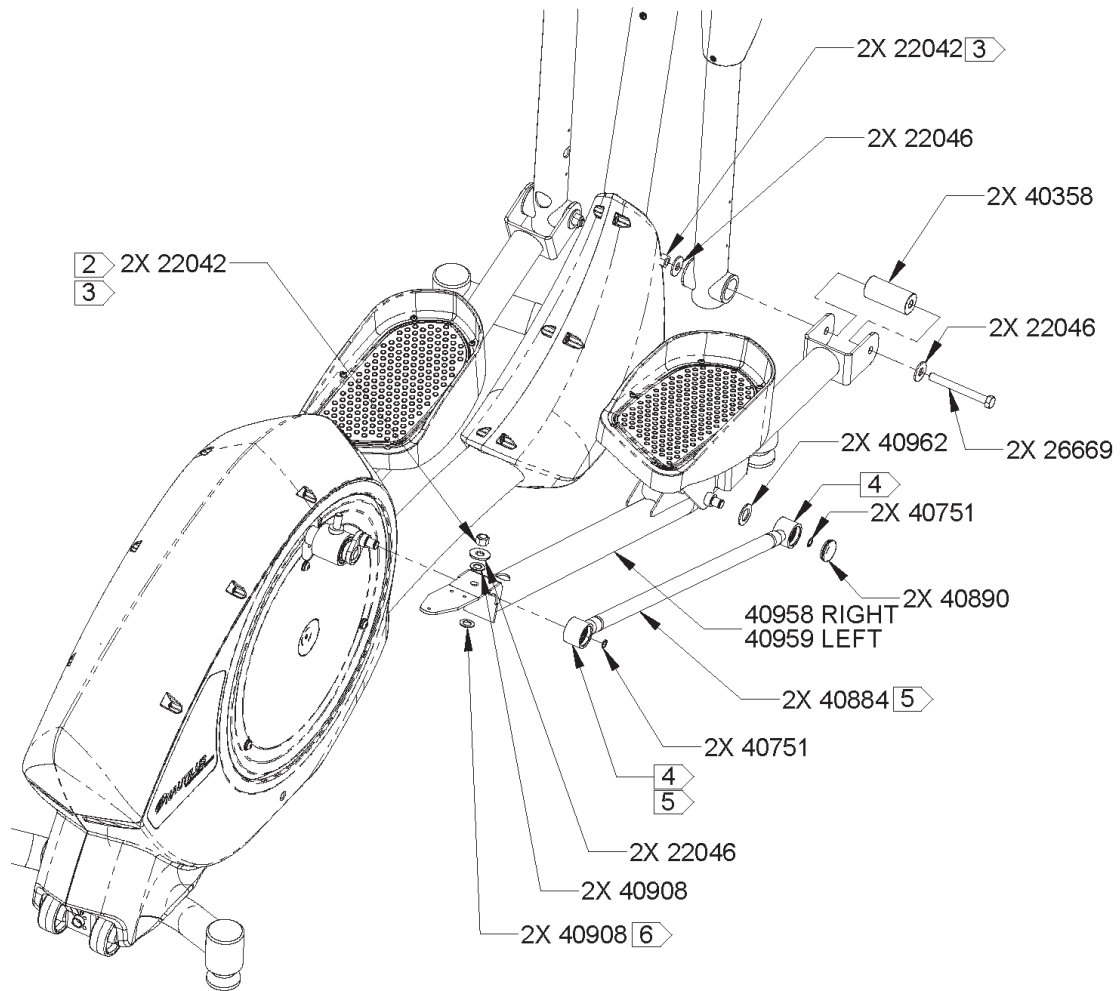
Refer to the Parts List in the preceding pages to locate information on the part numbers that are called out in the assembly drawings.

Some drawings include specific notes, represented by **1.** Refer to these notes when replacing parts because they mention critical torque specs and other important information.

Cam Covers (Pods) and Front Knuckle Covers:



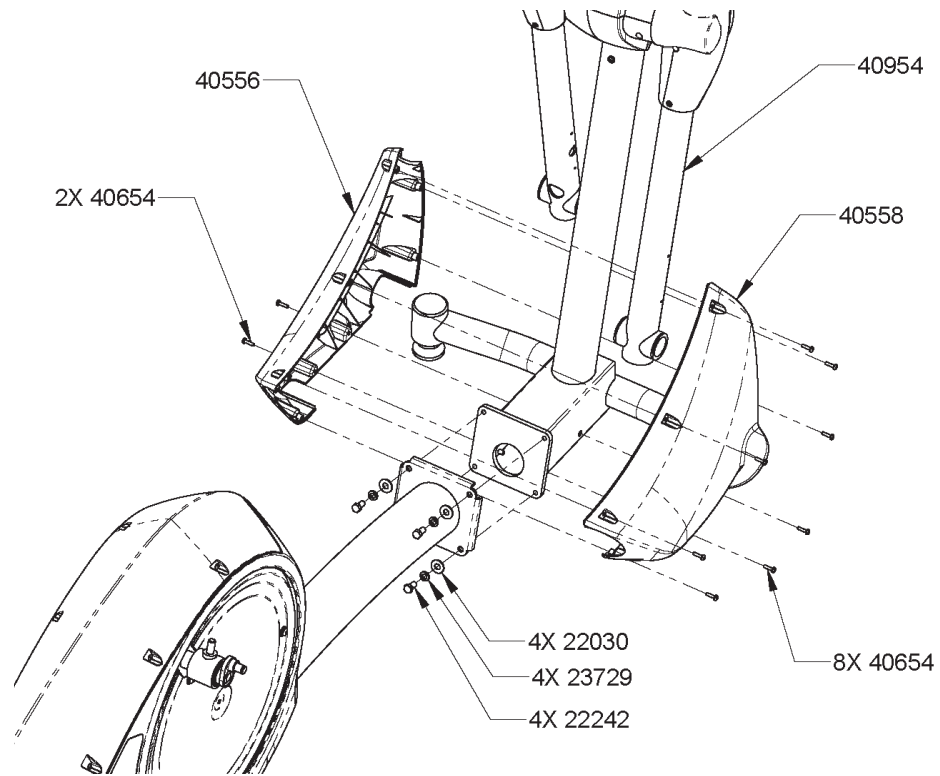
Swing Arm / Foot Link Assembly Junction:



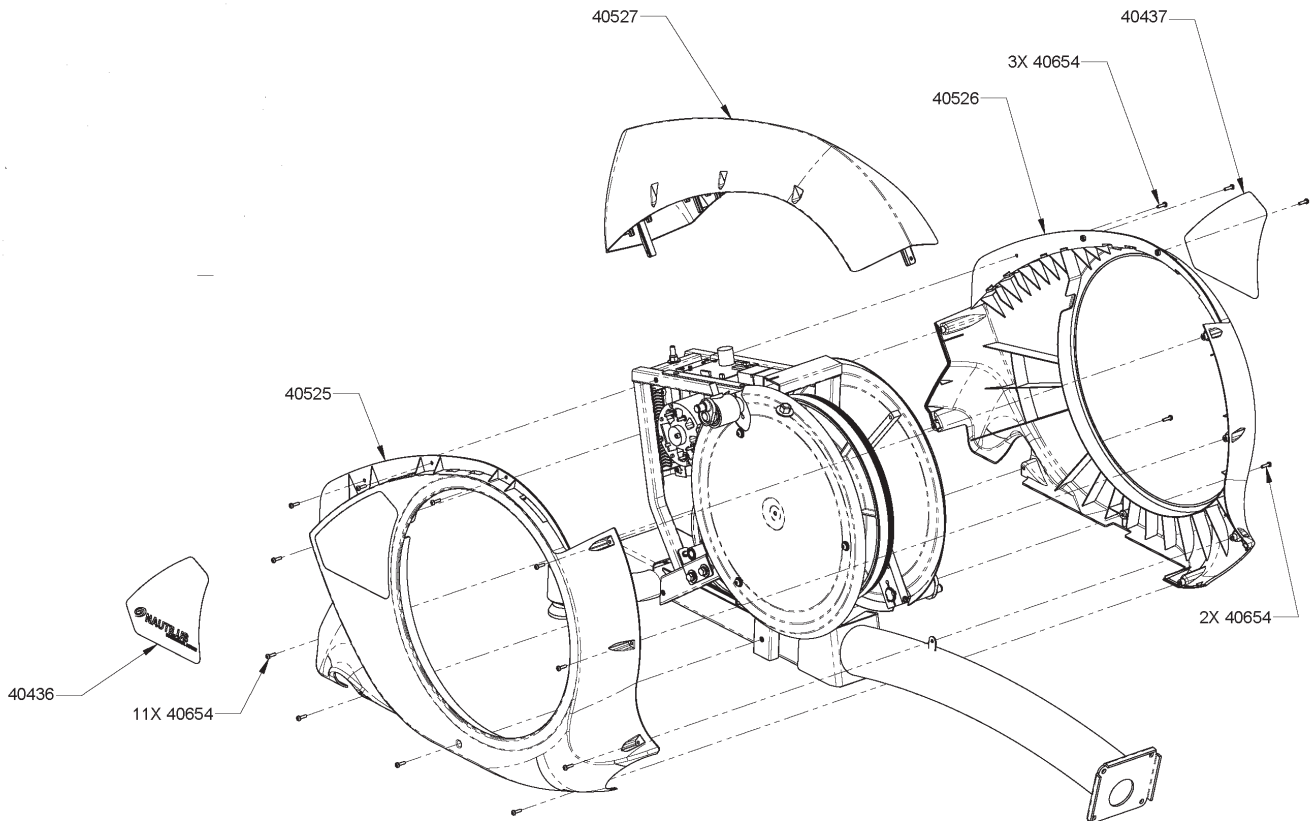
NOTES:

- 2. APPLY LOCTITE 272 (P/N 61309) TO THREADS.
- 3. TORQUE TO 45 FT-LB.
- 4. LARGER ID, WITH SNAP RINGS, SHOULD BE FACING OUT.
- 5. SHORTER BEARING HOUSING SHOULD BE AT BACK OF MACHINE.
- 6. APPLY BEARING GREASE TO BOTH SIDES OF WASHERS PRIOR TO ASSEMBLY.

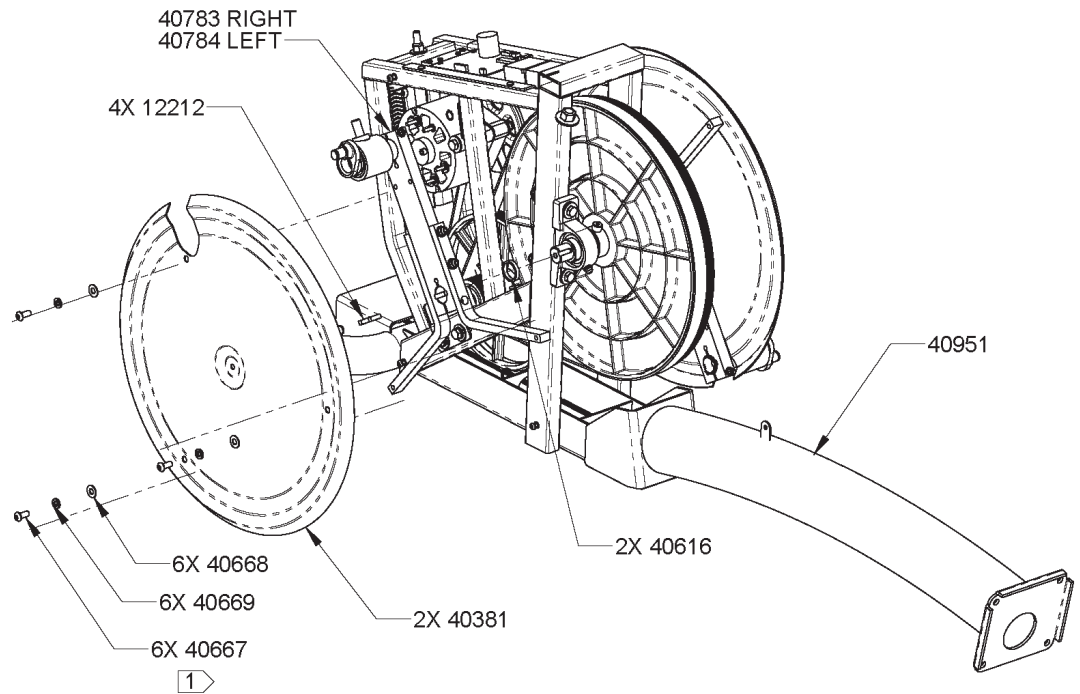
Front Mast Assembly / Main Frame Junction:



Drive Train Cover Assembly:

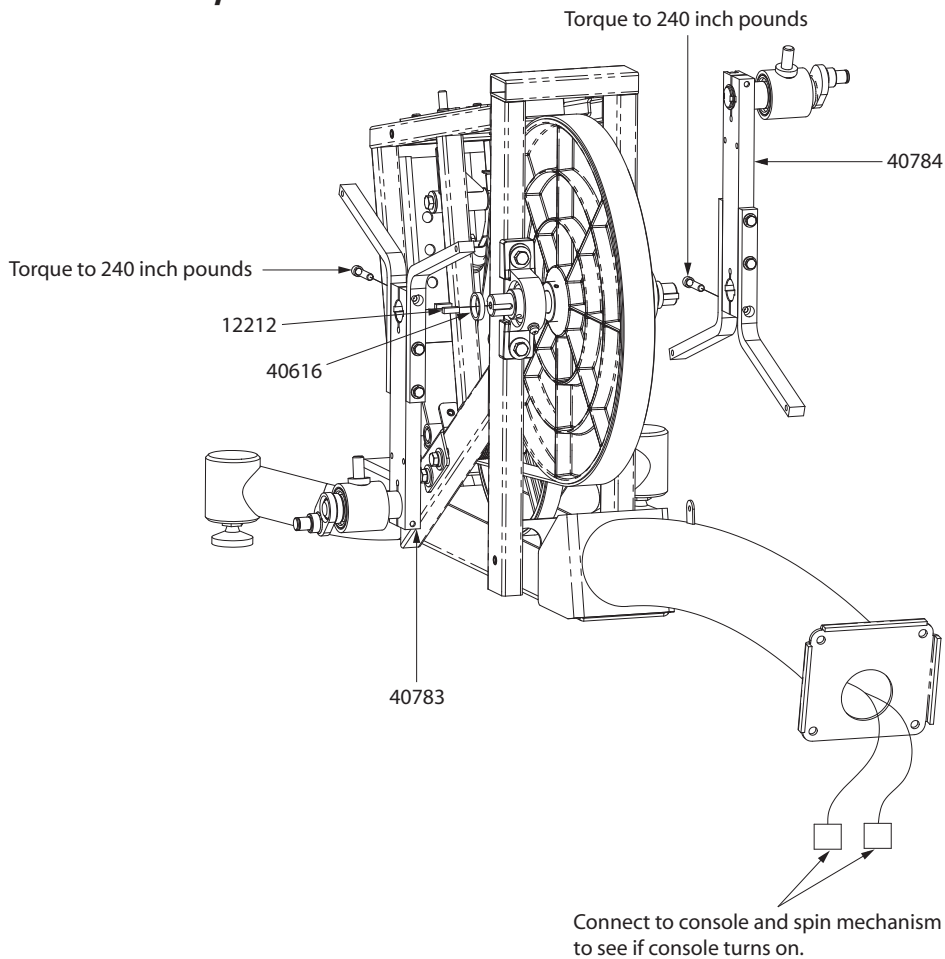


Crank Cover and Drive Train Assembly:

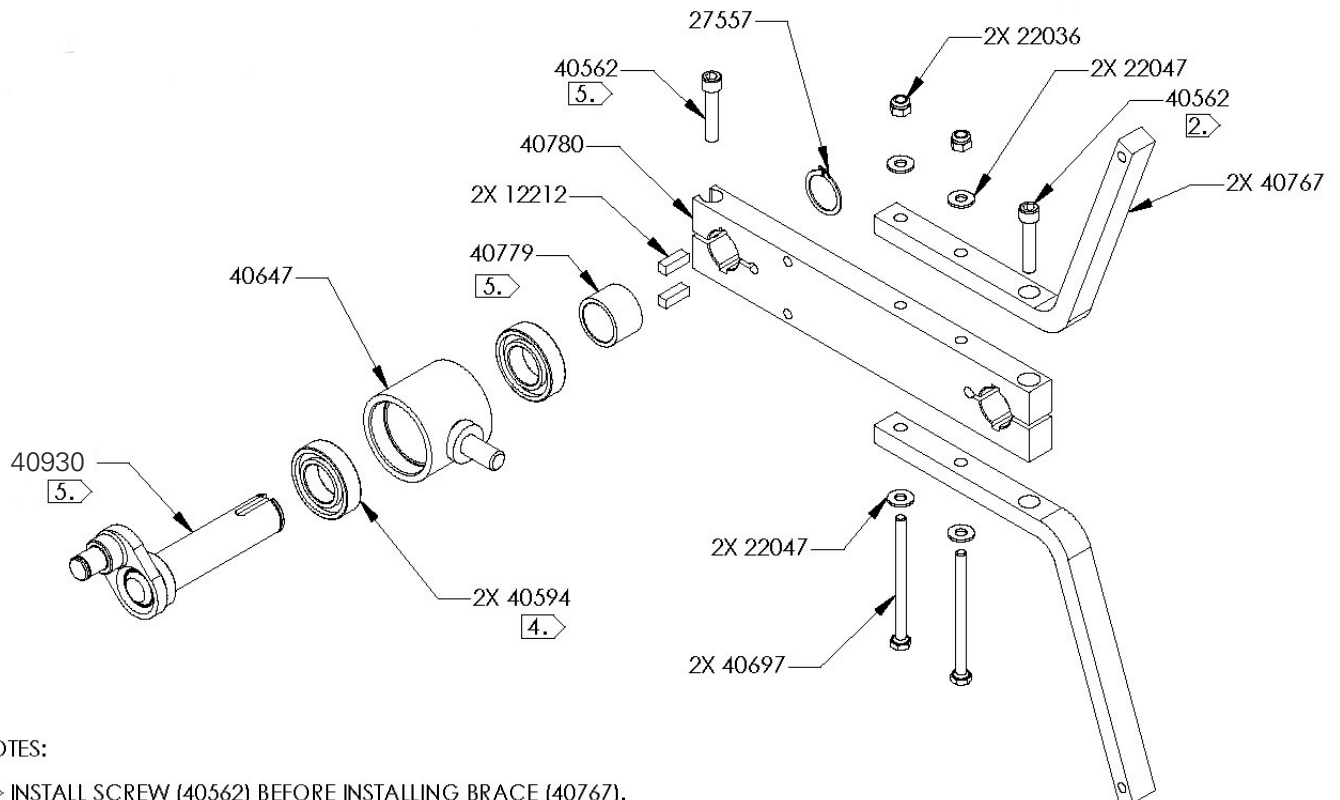
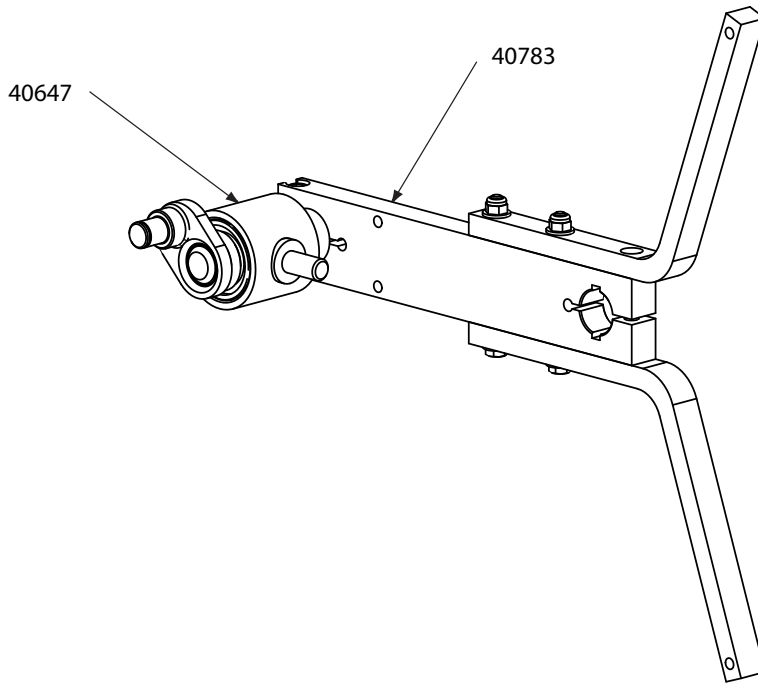


NOTES:
 1. TORQUE TO 144 IN-LB.

Crank Arm Assembly:



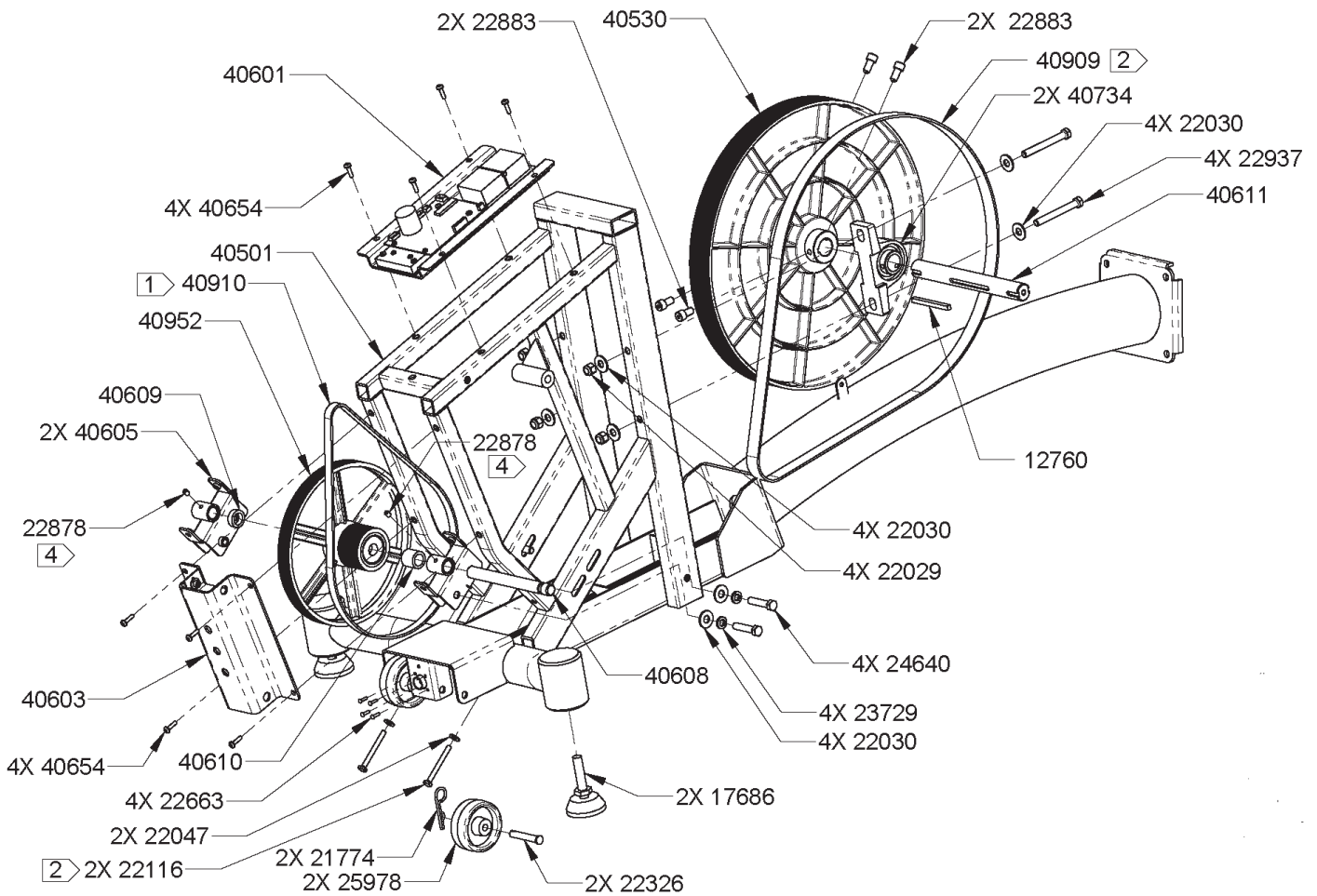
**Eccentric Crank Arm Assembly:
(detail)**



NOTES:

2. INSTALL SCREW (40562) BEFORE INSTALLING BRACE (40767).
4. PRESS BEARING FLUSH TO EXTERIOR OF PIVOT MISALIGNMENT WELDMENT (40647). PRESS ON OUTER RACE OF BEARING ONLY.
5. PRESS SHAFT UNTIL THERE IS NO IN AND OUT PLAY OF THE SPACER (40779). VERIFY THAT KEYS (12212) ARE IN PROPER POSITION AND THEN TIGHTEN SCREW (40562) TO 240 IN. LB.

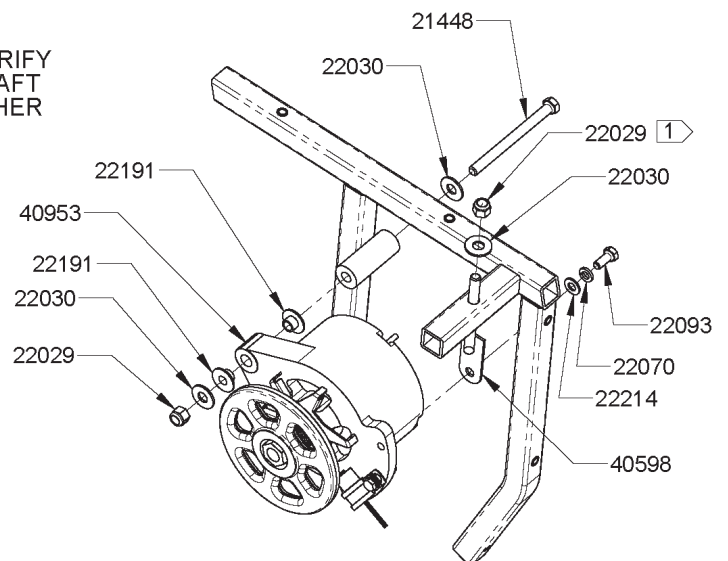
Rear Drive Assembly:



NOTES:

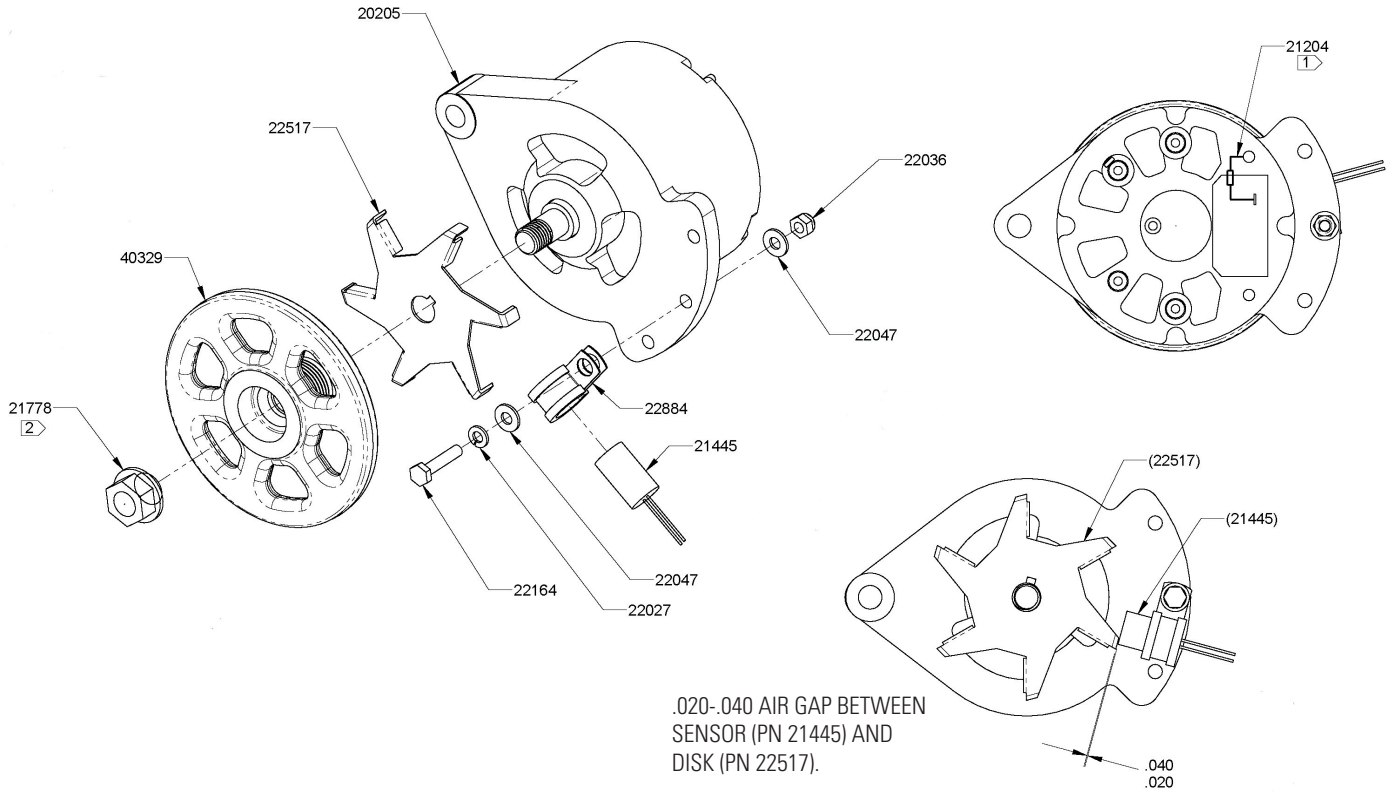
- 1. TENSION BELT TO 45-50 LBS.
- 2. TENSION BELT TO 85-95 LBS.

- 4. INSTALL GROOVE SIDE SET SCREW FIRST. VERIFY THAT SCREW IS ALIGNED WITH GROOVE IN SHAFT AND TIGHT BEFORE INSTALLING SCREW IN OTHER TENSION BRACKET.

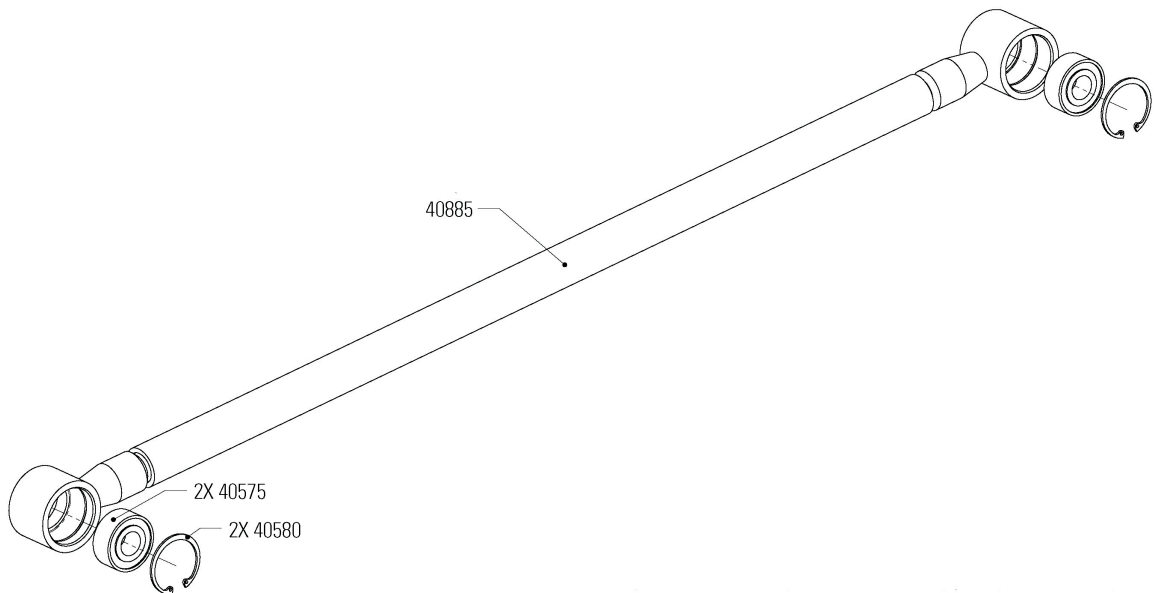


Alternator Assembly:

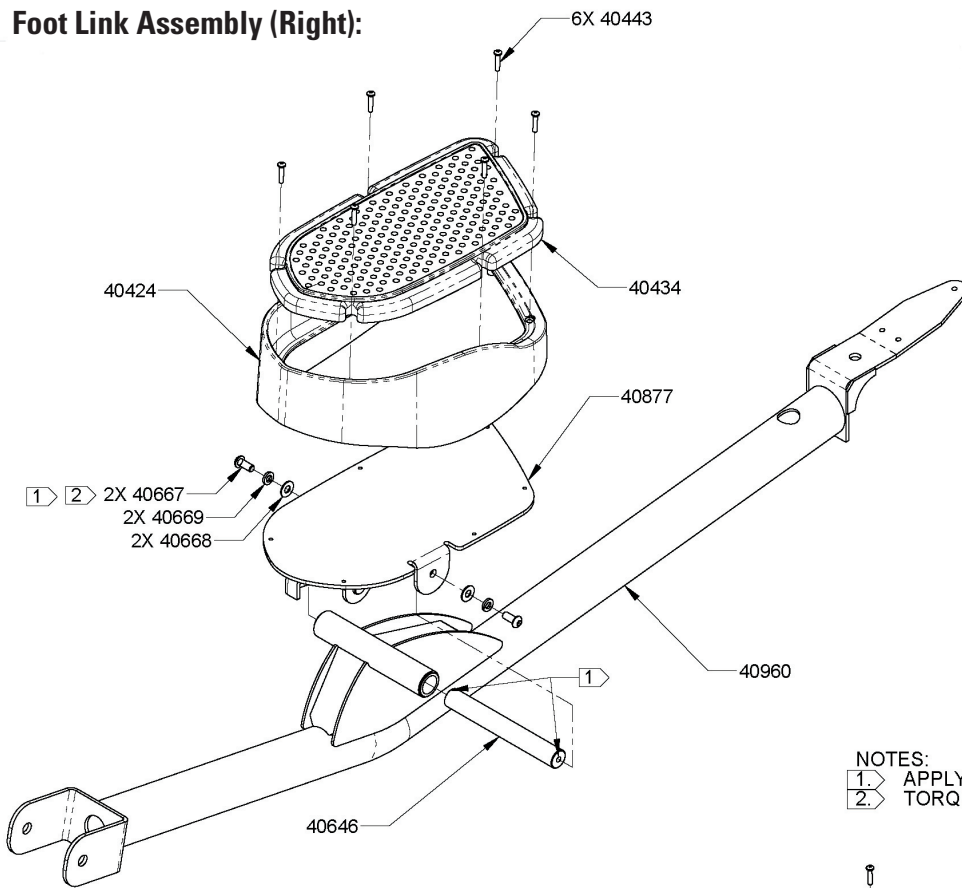
NOTES:
 1 PLACE FIELD DIODE ASSEMBLY (21204) BETWEEN FIELD AND GROUND TERMINALS ON ALTERNATOR (20205).
 2 TORQUE TO 40 FT.LBS.



Connecting Arm Assembly:



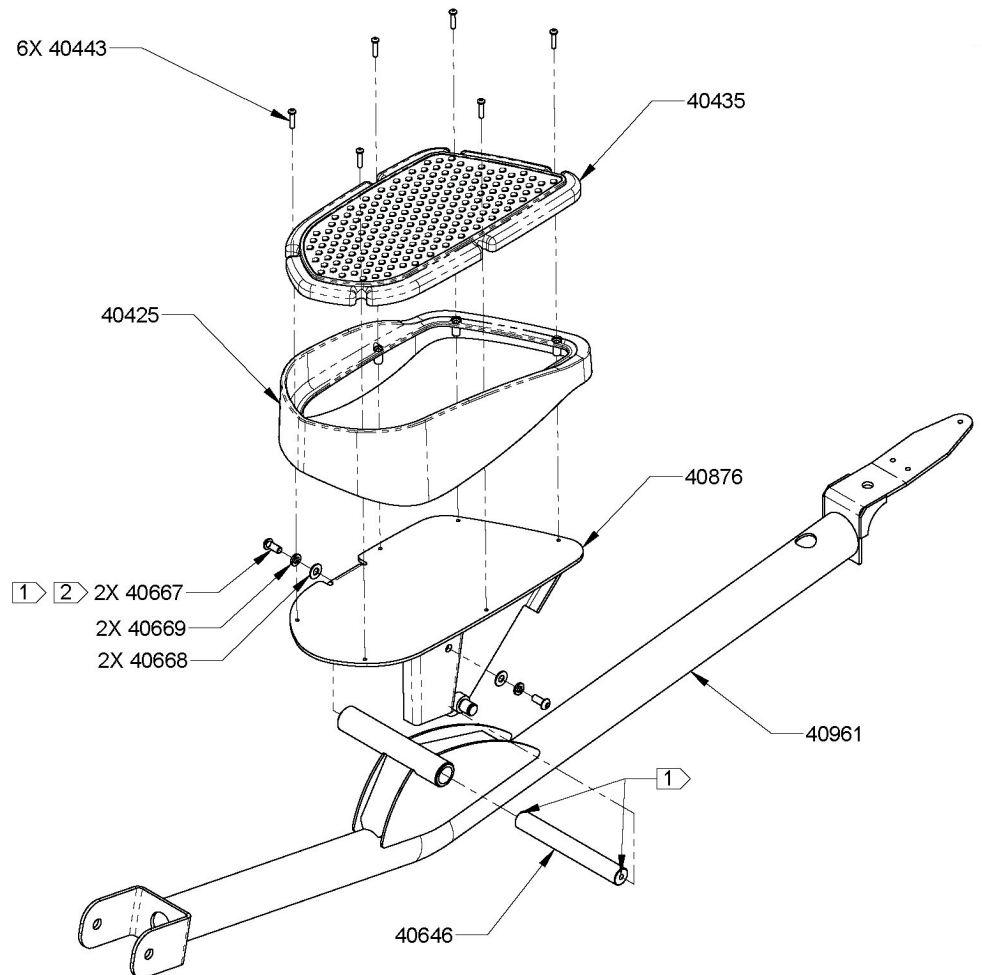
Foot Link Assembly (Right):



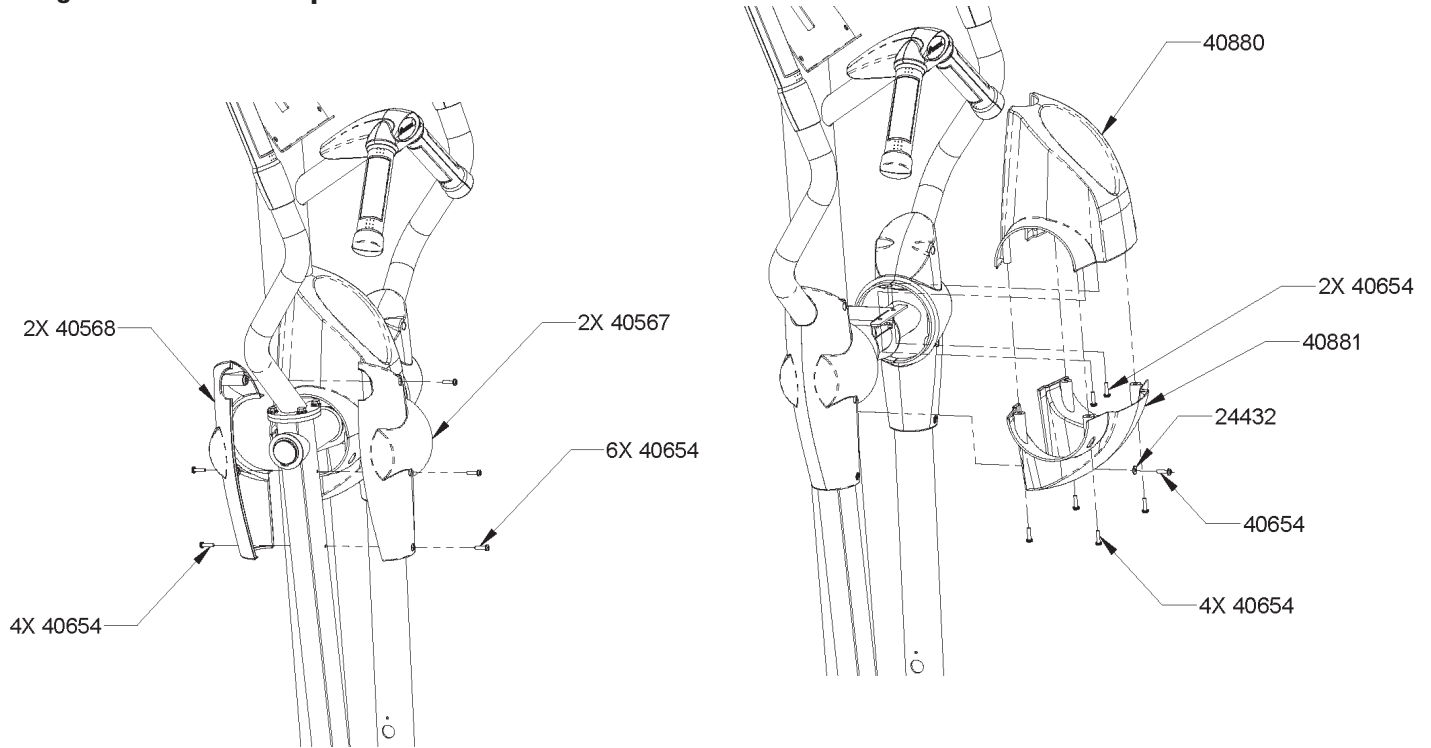
NOTES:

- 1. APPLY LOCTITE 243 (PN 61259) TO THREADS.
- 2. TORQUE TO 144 IN. LBS.

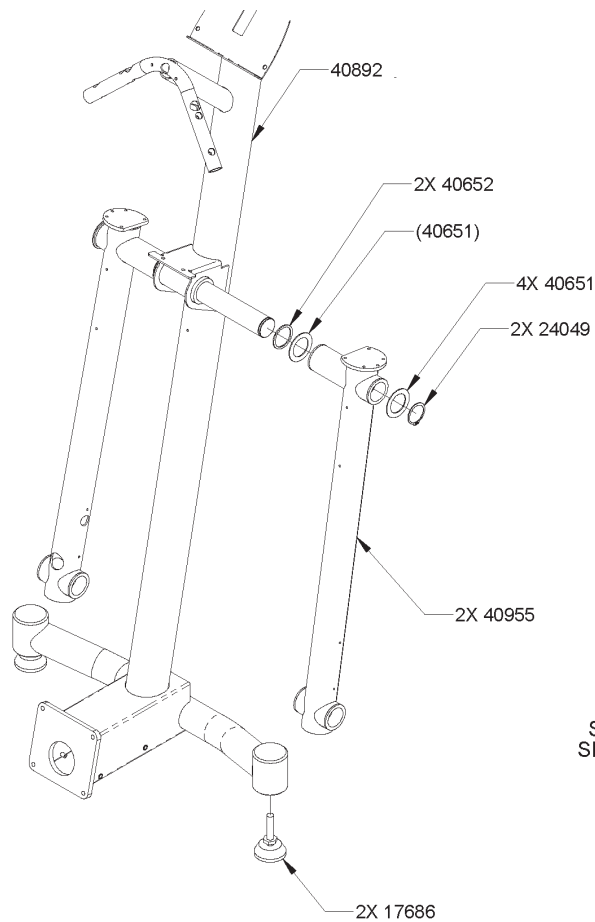
Foot Link Assembly (Left):



Swing Arm Cover and Cup Holder:

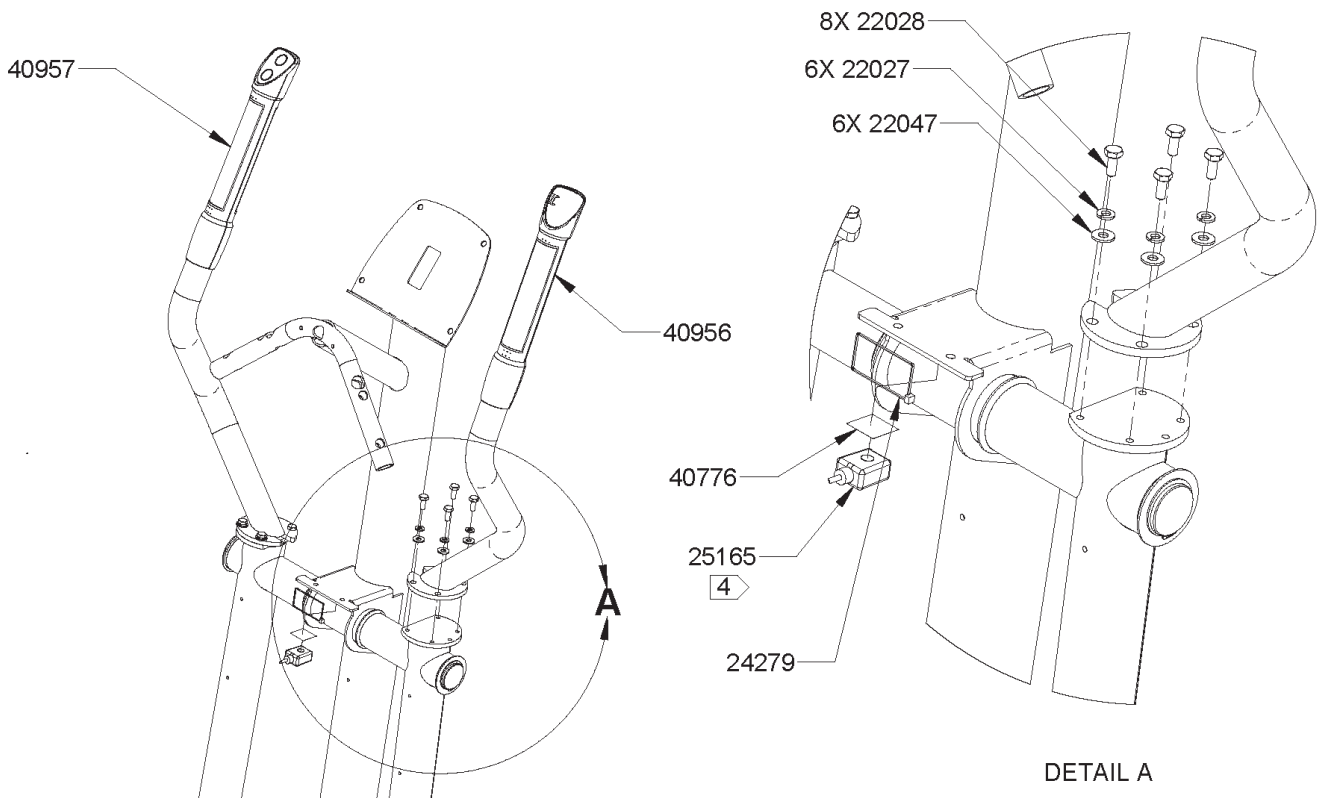


Swing Arm Assembly:



SWING ARM ASSEMBLY RIGHT SIDE SHOWN EXPLODED. LEFT SIDE IS AN EXACT DUPLICATE.

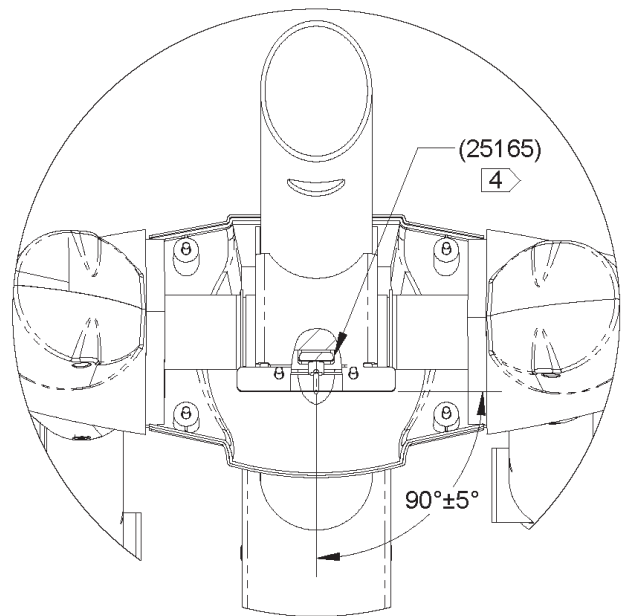
Dynamic Handles and Polar® Sensor:



RIGHT HAND DYNAMIC HANDLE SHOWN EXPLODED. LEFT HAND IS A MIRROR IMAGE WITH COMPONENT CHANGES NOTED ABOVE.

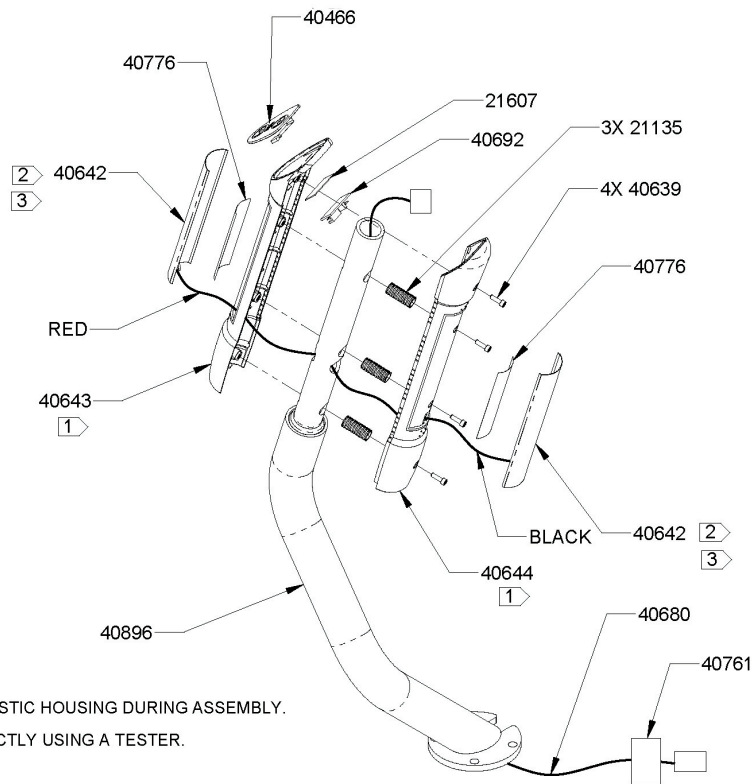
NOTE:

- 4. INSTALL POLAR SENSOR (25165) WITH DOT FACING UP AND PLUG POINTING TOWARDS BACK OF MACHINE.



POLAR® SENSOR PLACEMENT UNDER SWING ARM BRACKET (TOP VIEW)

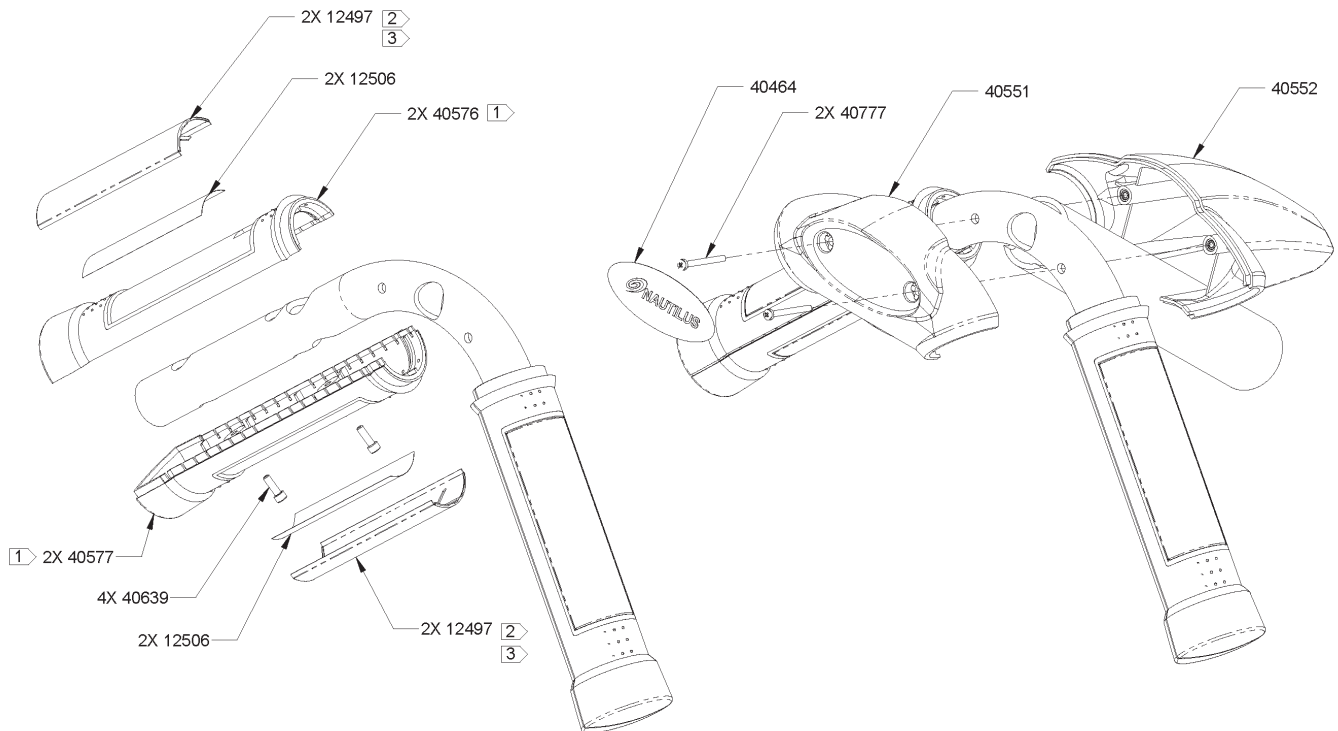
Dynamic (Upper Body) Handles and Grips:



NOTES:

- 1. BE CAREFUL NOT TO PINCH WIRES WITH PLASTIC HOUSING DURING ASSEMBLY.
- 2. ZIP TIE CONTACTS TO PLASTIC.
- 3. VERIFY THAT CONTACTS ARE WIRED CORRECTLY USING A TESTER.

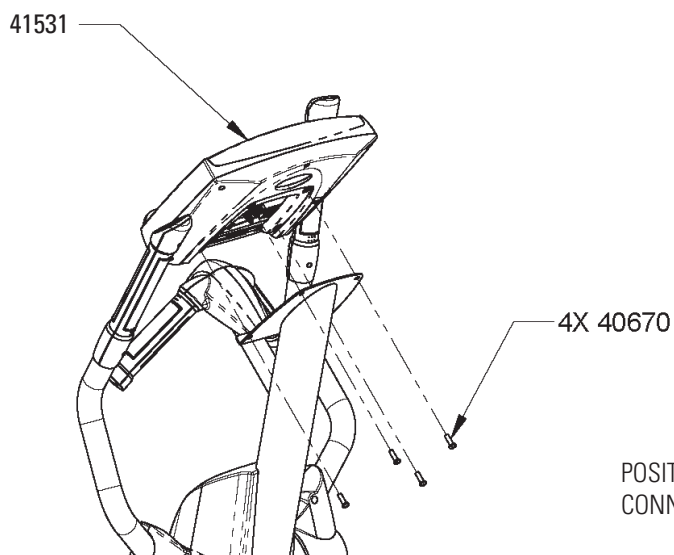
Fixed (T-Bar) Handle Assembly:



NOTES:

- 1. BE CAREFUL NOT TO PINCH WIRES WITH PLASTIC HOUSING DURING ASSEMBLY.
- 2. ZIP TIE CONTACTS TO PLASTIC.
- 3. VERIFY THAT CONTACTS ARE WIRED CORRECTLY USING TESTER.

Console Mount:



POSITION CONSOLE SO THAT CABLES CAN BE CONNECTED USING THE PROPER CONNECTORS.